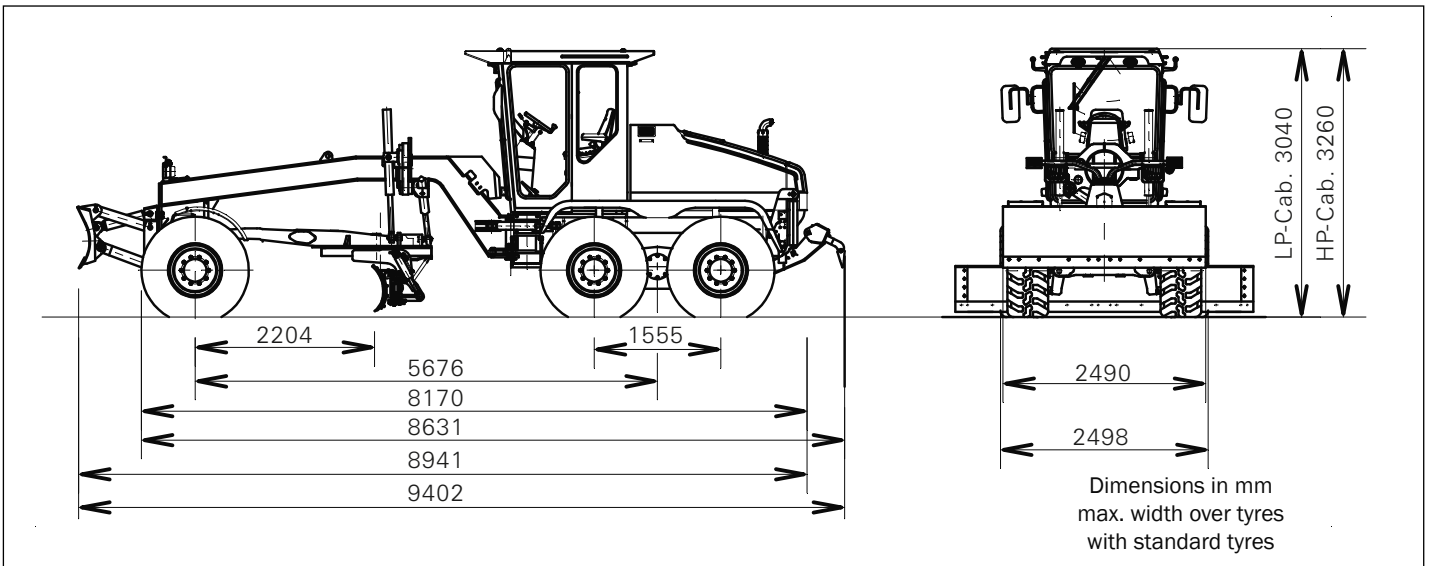




Motor Grader

BG 160 T-4 (6x4) / BG 160 TA-4 (6x6)



Engine Data

Make/Model	CUMMINS/diesel engine
Type	4 cycle, direct injection, turbo charged, water-cooled, intercooled
Rated net horsepower (SAE J1995)	at 2200 rpm 129 kW/176 HP at 2000 rpm 133 kW/181 HP
No. of cylinder	in line 6
Bore & stroke	107 x 124 mm
Displacement	6.7 litres

Engine equipped with a dual element, dry type air cleaner with dust ejector. 24 V starting and electrical system. 70 Amp alternator and 24 V starter with 3.7 kW (5.0 HP). 2 batteries 74 Ah each.



Speeds

(all wheel drive and rear axle drive systems)

Forward	km/h
1.	4.3
2.	6.7
3.	11.0
4.	17.2
5.	25.0
6.	40.0
Reverse	
1.	4.3
2.	11.0
3.	25.0

Acoustic back up alarm in reverse driving



Operating Weight

Total weight	approx. 16000 kg
On rear wheels	approx. 11000 kg
On front wheels	approx. 5000 kg

Weights shown include cab, all operating fluids, 4-teeth rear ripper, front dozer blade



Rear Axle

Oscillating tandem axle with axle insert.
Operator controlled wet multiple disc lock/unlock differential.
Multi-disc brakes in all four wheel hubs.
Parking brake at powershift transmission.



Tandems

Drive via roller chains.	
Torsion-proof box section.	
Height	550 mm
Width	184 mm
Thickness of walls	20 mm
Wheel base	1555 mm
Oscillation	± 15°
Ground clearance	435 mm



All Wheel Drive System

Hydrodynamic rear axle drive with 6-speed Ergopower transmission and torque converter (make ZF 6 WG) with freely selectable micro-processor controlled hydrostatic front axle drive. Power train is controlled appropriate to tyre traction.



Rear Axle Drive System

Hydrodynamic rear axle drive with 6-speed Ergopower transmission (make ZF 6 WG) and torque converter.



Wheels & Tyres

Tyre size	455/70 R24 radial
Rim size	13.00 x 24



Brakes

Service brake

Dual-circuit, power-assisted, multi-disc oil-bath type, effective on four wheels. Includes reserve power and operator warning system.

Parking brake

Independent electrically operated, acting on power shift, hydraulic spring accumulated single disc type.



Front Axle

2 types are available

Oscillation	15° up and down
Steering angle	45°
Wheel lean	±17°
Ground clearance	546 mm

Non driven with wheel lean (T version)

Stable welded steel beam with wheel lean.

Driven with wheel lean (TA version)

Stable welded steel beam with wheel lean and radial piston engines in wheel hubs, pulling power on surface conditions. Electronically adjustable (infinitely variable), possibility to fit in the hydraulic differential lock.



Steering

Hydraulic power steering	
Minimum turning radius without dozer blade	6900 mm
Minimum turning radius with dozer blade	7650 mm
Steering angle	45°



Frame

Front and rear frame sections connected with an adjustment free articulated pin.

Front: Fully welded box section

Minimum dimensions of box section	270 x 270 mm
Plate thickness	20 mm

Rear: Fully welded box section

Dimensions (solid main bars)	250 x 80 mm
Hydraulic articulated frame steering (left & right)	30°



Circle (closed version)

Hardened teeth, machine-cut on inside of circle for maximum strength and minimum wear. The circle is held positively in place by an adjustment free roller bearing.

Circle diameter	1348 mm
Tool width	78 mm
Height	130 mm



Circle Drive

Hydraulically driven worm gear transmission. Circle drive system fully protected against impact damage by an overload clutch.

Rotation	360°
----------	------



Drawbar

Y-shaped fully welded construction.

Dimensions (solid sections)	30 x 175 mm
-----------------------------	-------------



Moldboard (standard)

Moldboard (12 ft)	3660 x 580 x 20 mm (12' x 22,8" x 0,8")
Blade material	High carbon steel
Blade pull (at a friction factor of 0.8)	

BG 160 T-4	80 kN
BG 160 TA-4	105 kN



Blade Range

Reach outside tyres without articulation (RH&LH) blade resting on levelled surface	2220 mm/1780 mm
Reach outside tyres with articulation (RH&LH), blade resting on levelled surface	3050 mm/2610 mm
Blade side shift	1250 mm
Blade tilt range	35°-76°
Bank sloping angle (RH&LH)	90°
Lift above ground	480 mm
Cut below ground	520 mm
Distance blade/front axle	2204 mm

All blade movements and positions can be controlled from the operator's seat.



Operator's Platform

Dimensions	
Width	1150 mm
Depth	1400 mm

Available with various options as listed under "Optional equipment", moldboard control acc. to EURO standard.



Capacities

Fuel	300.0 litres
Hydraulic oil	170.0 litres
Engine oil	19.0 litres
Ergopower transmission	34.0 litres
Axle drive rear	13.5 litres
Planetary gears and brakes	16.0 litres
Tandem case (2 x 21 litres)	42.0 litres
Circle drive	6.0 litres
Coolant	33.0 litres



Light Equipment

2 head lights at the front, every 2 indicator lights (including hazard warning lights) at the front and rear, 2 rear lights, 2 brake lights, 1 backup light plus every 2 working lights at the top and bottom at the front of the cab, 2 working lights at the top at the rear of the cab, and 2 tail lights on the sides.



Load-Sensing Hydraulics

The control valves of the working hydraulics may be actuated at a time and independent of each other. The load-sensing pump (axial piston pump) discharges only the required quantity of oil if a control valve is actuated. When hydraulic power is not required system pressure is only 24 bar and ensures low oil temperature und fuel saving.

Lock valves and brake valves prevent a cylinder drift under load.

Operating pressure	205 bar
Oil flow, max.	132l/min



Optional Equipment

Cab, standard, tiltable

Integrated ROPS/FOPS cab mounted on isolators to limit vibration and noise entering the cab. Excellent all-round visibility. Roomy and comfortable. Adjustable steering pedestal with EURO control lever arrangement. Interior of cab fully lined, floor covering. Tinted safety glass windows, sliding doors left and right with lockable intermediate positions, fresh air heating with pre-filter, air circulation. Adjustable, mechanical spring mounted driver's seat with safety belt. One inside mirror and two folding outside mirrors.

Front window washer.

Wipers front and rear.

Blinds front and rear.

Height / Width / Depth	1980 / 1470 / 1700 mm
------------------------	-----------------------

Cab, low-profile, tiltable

Height / Width / Depth	1760 / 1470 / 1700 mm
------------------------	-----------------------

Air-cushioned driver's seat

Recording speedometer

Cooling box

Stereo radio with CD-Player

Sliding side windows

Protective grids for lights and cabin

Moldboard (14 ft) 4267 x 580 x 20 mm (14' x 22,8" x 0,8")

Cover plate for upper guide rail of moldboard

Adjustable moldboard corner shoes, left or right

Moldboard extension, left or right (1 ft) 305 mm

Float position for both moldboard lift cylinders

Electric fuel pump with automatic switch-off

Towing device, tiltable

Front dozer blade with position indicator, parallel guided

Width / Height 2490 x 703 mm

Cut below ground 250 mm

Lift above ground 605 mm

Weight 691 kg

Rear ripper with depth indicator, 4 teeth (max. 7)

Ripping width 2120 mm

Ripping depth 285 mm

Lift above ground 580 mm

Weight 610 kg

Rear ripper with depth indicator, medium heavy, 4 teeth (max. 7)

Ripping width 2120 mm

Ripping depth 420 mm

Lift above ground 560 mm

Weight 804 kg

Push-Pull block, in front

556 kg

Mudguards

on front wheels

Mudguards

on rear wheels

Protective cover for powershift transmission

Ergopower transmission with torque converter and lock-up clutch

Fuel tank pump with automatic switch-off

Speed limitation at 25 km/h possible



GP Papenburg Maschinenbau GmbH

Rothenburgstraße 20 · 99734 Nordhausen · Germany

Tel: ++49 (0) 3631 695-125 · Fax: ++49 (0) 3631 695-121

E-Mail: vertrieb-international@gp.ag · vertrieb@hbm-nobas.de

www.gp.ag/hbm-nobas/Start/



Edition 12/16

Technical data are subject to alteration.